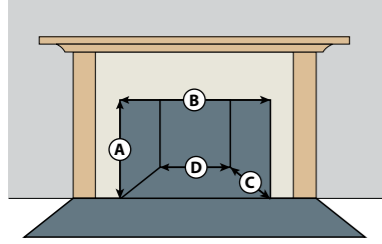


INBUILT WOOD



WOOD INBUILT APPLIANCE MINIMUM FIREPLACE OPENING

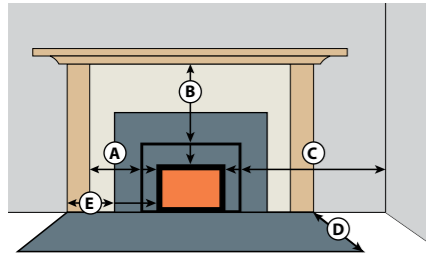


	A	B	C	D
Neo 1.6 Inbuilt	510	765	420	630
Neo 2.5 Inbuilt	560	870	510	680
Alderlea Inbuilt	533	622	464	607

WOOD APPLIANCE HEARTH REQUIREMENTS

	Extending in front of door opening	From side of door opening	Thickness
Neo 1.6 Inbuilt	500	50	50
Neo 2.5 Inbuilt	500	50	50
Alderlea Inbuilt	400	200	50

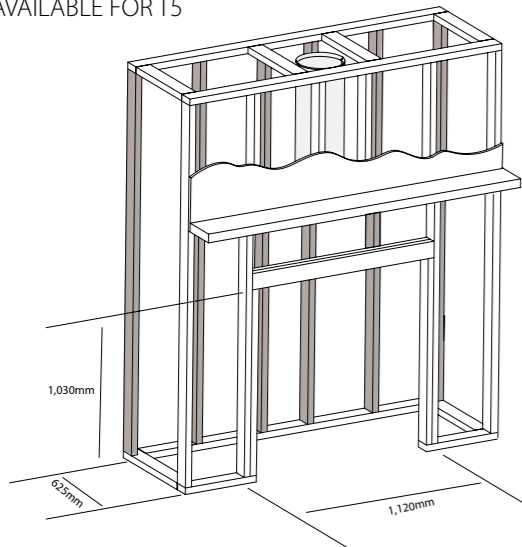
WOOD INBUILT APPLIANCE CLEARANCES TO COMBUSTIBLES



	A	B	C	D	E
Neo 1.6 Inbuilt	250	390	380	500	250
Neo 2.5 Inbuilt	150	390	380	500	150
Alderlea Inbuilt	300	600	300	400	200

ZERO CLEARANCE INSTALLATION

FOR NEO 1.6 AND 2.5
NOT AVAILABLE FOR T5



FRAMING GUIDE

Cavity Height 1,030 mm
Cavity Width 1,120 mm
Cavity Depth 625 mm

If raising of the floor, recommended height off the floor: 300mm

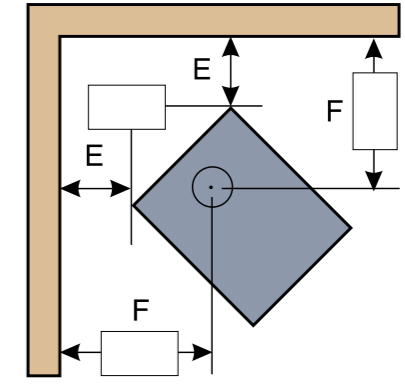
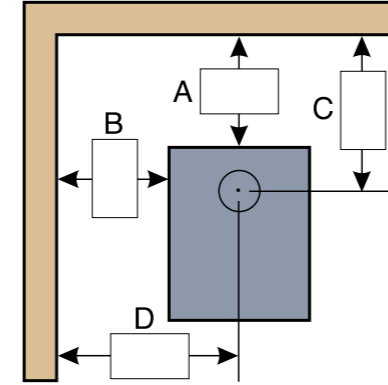
FLOOR PROTECTION

18 mm thick fireproof board
– Needs to extend under the Zero Clearance Box
– Hearth to extend 500mm in front of the heater

For reference only. Installations should be based on manuals and rating labels. Specifications subject to change.



FREESTANDING WOOD



WOOD APPLIANCE MINIMUM CLEARANCES TO COMBUSTIBLES

	STRAIGHT				CORNER	
	A	B	C	D	E	F
Super	100	375	360	680	200	550
Summit	175	250	395	575	150	515
Alderlea T5	100	375	360	695	200	560
Alderlea T6	175	250	395	625	150	515
Neo 1.6	120	250	275	595	150	455
Neo 2.5	100	300	250	670	80	370
Alberni 2.5	150	400	300	760	100	390

WOOD APPLIANCE HEARTH REQUIREMENTS

	Minimum Floor Protector (width x length mm)	Extending in front of door opening (mm)	From side of door opening (mm)	Floor Protection size from back wall	Thickness (mm)
Super	826 x 923	300	200	826 x 1025	6
Summit	875 x 1124	500	200	875 x 1300	6
Alderlea T5	826 x 923	300	200	826 x 1025	6
Alderlea T6	875 x 1124	500	200	875 x 1300	6
Neo 1.6	835 x 880	300	200	835 x 900	9
Neo 2.5	870 x 1000	300	200	870 x 1000	9
Alberni 2.5	870 x 1100	450	200	870 x 1200	9